

1106306
KOINE 35 230V EVO 50HZ

3238359_1106306_R03W - R03W (25/1/2025)



Access Platform Division

Via San Francesco d'Assisi, 8 - 46020 Pegognaga (Mantova) - ITALY Tel. +39 0376
554011 - Fax +39 0376 559855

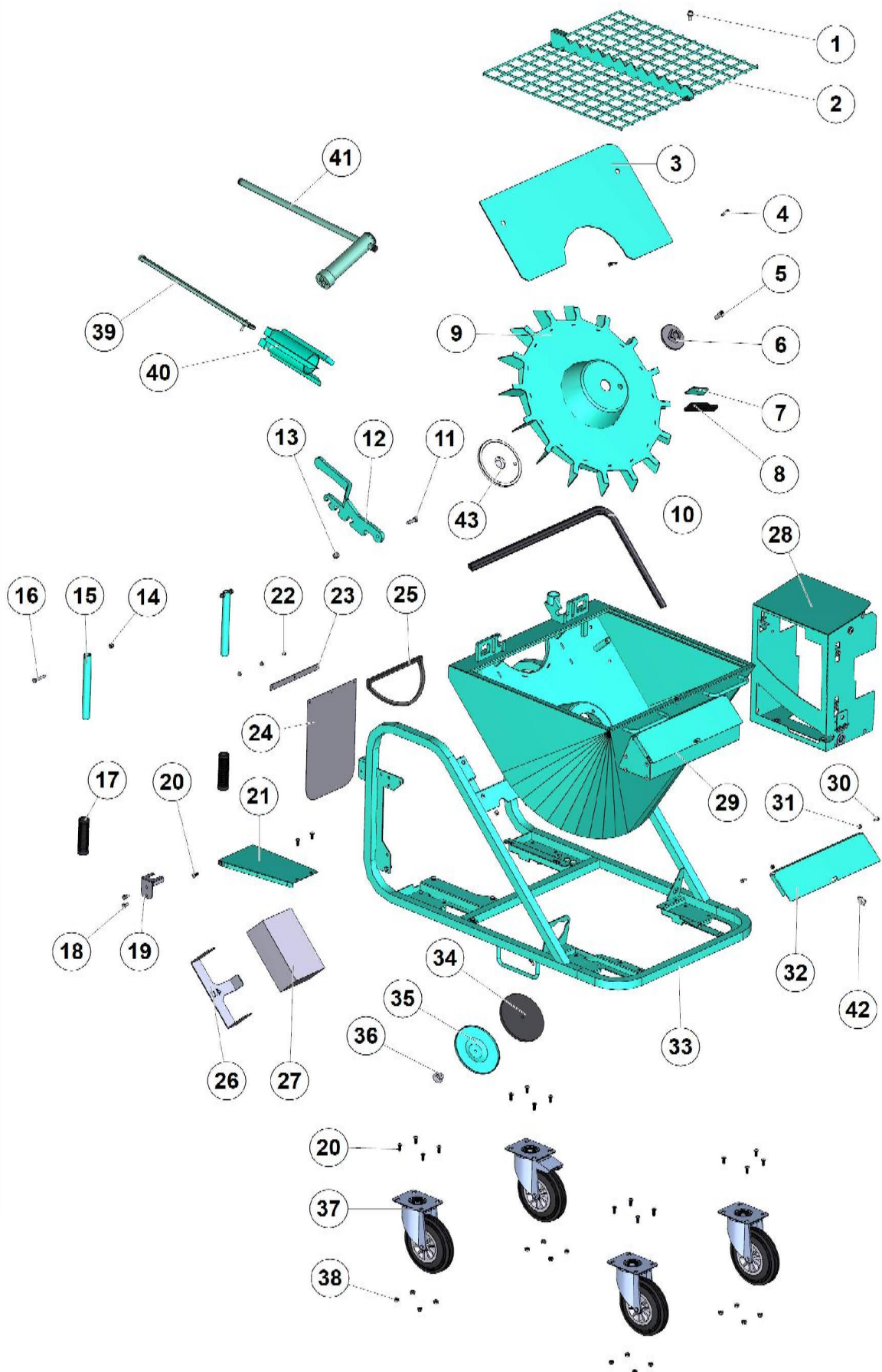
www.imergroup.com

Building Equipment Division

Via della Meccanica, 39 (Zona Industriale Sentino) - 53040 Rapolano Terme
(Siena) - ITALY - Tel. +39 0577 97341 - Fax +39 0577 704077

www.imergroup.com

www.imerglobalcustomercare.com

FRAME




N.	CODE	DESCRIPTION	UM	QTY
1	3238339	SCREW/SAW		1.0
2	3238270	KOINE 4 MESH	PZ	1.0
3	3238274	DUST SHEET	PZ	1.0
4	3224628	SPLIT PIN	PZ	2.0
5	3200389	SCREW TCEI 5931 12X 25 Z	PZ	1.0
6	3223376	FLANGE	PZ	1.0
7	3238334	PLATE		1.0
8	3238336	SCRAPER	PZ	1.0
9	3238264	CELL WHEEL	PZ	1.0
10	3238337	GASKET	PZ	1.0
11	2222073	SCREW/MN	PZ	1.0
12	3238295	LOCKING SHEET		1.0
13	2223920	SELF-LOCKING NUT	PZ	1.0
14	2223923	LOCK NUT	PZ	2.0
15	3238287	HANDLE	PZ	2.0
16	2222176	SCREW	PZ	2.0
17	3210954	HANDLE	PZ	2.0
18	2222064	SCREW	PZ	2.0
19	3300080			1.0
20	3237650	SCREW TCBEI 7380 M8X20Z 10.9		19.0
21	3238284	SHEET		1.0

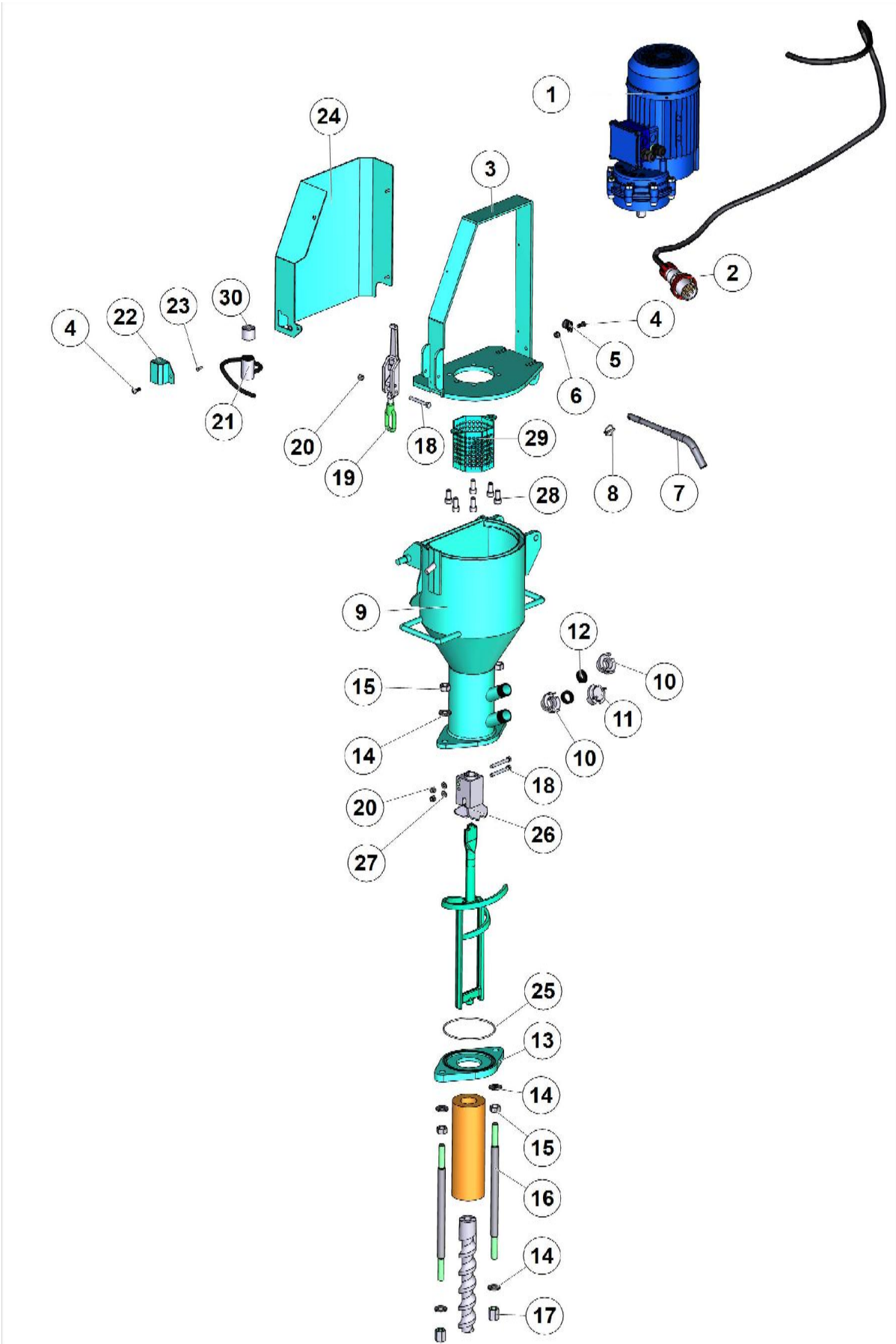


N.	CODE	DESCRIPTION	UM	QTY
22	2288788	Self-tapping screw	PZ	3.0
23	3224150	REAR APRON SHEET		1.0
24	3224148	REAR APRON	PZ	1.0
25	3223995	SEAL	M	1.0
26	3300139			1.0
27	1107012	KIT IMERVIEW 4.0 KOINE DUAL		1.0
28	3238341	FRAME		1.0
29	3238340	FRAME	PZ	1.0
30	2222002	SCREW	PZ	2.0
31	2223924	NUT	PZ	2.0
32	3300470	PLATE		1.0
33	3238240	FRAME	PZ	1.0
34	3223366	DUST OUTLET DOOR SEAL	PZ	1.0
35	3223378	PLUG	PZ	1.0
36	3207209	EYEBOLT	PZ	1.0
37	3223422	FREE RUBBER WHEEL D.200X70	PZ	4.0
38	3230237	NUT		16.0
39	3223347	VERTICAL SECTION	PZ	1.0
40	3223349	SCRAPER	PZ	1.0
41	3223354	WRENCH	PZ	1.0
42	3300472			1.0



N.	CODE	DESCRIPTION	UM	QTY
43	3223377	WHEEL SUPPORT	PZ	1.0

MIXING CHAMBER





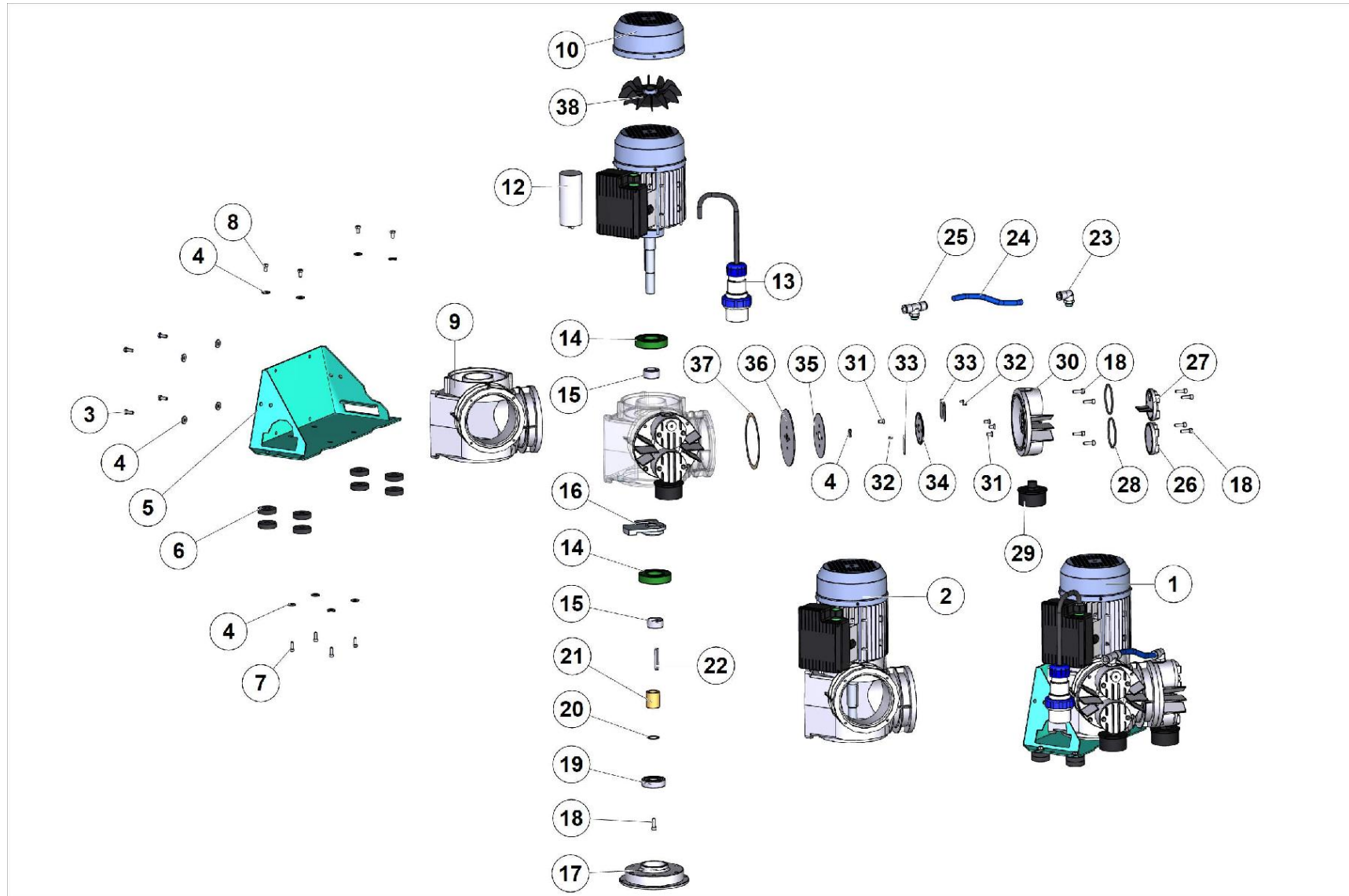
N.	CODE	DESCRIPTION	UM	QTY
1	3228423	GEARMOTOR	PZ	1.0
2	3228574	ENGINE POWER CABLE KOINE 4/5/35	PZ	1.0
3	3238308	MOTOR SUPPORT	PZ	1.0
4	3237650	SCREW TCBEI 7380 M8X20Z 10.9		2.0
5	3205491	BAND D1-B20-V9-FOR8,4D.I20	PZ	1.0
6	3230237	NUT		1.0
7	3238317	CHAMBER PIN		1.0
8	3224628	SPLIT PIN	PZ	1.0
9	3238297	MIXING CHAMBER		1.0
10	3223428	QUICK CONNECTOR	PZ	2.0
11	3223429	CAP	PZ	1.0
12	3223697	GASKET/MORTAR PUMP	PZ	2.0
13	3238313	SCREW FLANGE	PZ	1.0
14	2224640	WASHER	PZ	6.0
15	2223806	NUT	PZ	4.0
16	3238315	KOINE ROD LOWER FLANGE GALVANIZED NUT	PZ	2.0
17	3224395	NUT M.16	PZ	2.0
18	2222072	SCREW	PZ	2.0
19	3223717	CLOSING HANDLE	PZ	1.0
20	2223923	LOCK NUT	PZ	3.0
21	3226120	SENSOR	PZ	1.0



N.	CODE	DESCRIPTION	UM	QTY
22	3238349	SHEET		1.0
23	2222465	SCREW	PZ	1.0
24	3238351	SHEET	PZ	1.0
25	3224356	RING/MORTAR PUMP	PZ	1.0
26	3223352	TERMINAL	PZ	1.0
27	2224140	ROLLER 6593	PZ	2.0
28	3200389	SCREW TCEI 5931 12X 25 Z	PZ	6.0
29	3228425	TERMINAL PROTECTION KOINE 4-5	PZ	1.0
30	3224243	BUSHING	PZ	1.0



COMPRESSOR



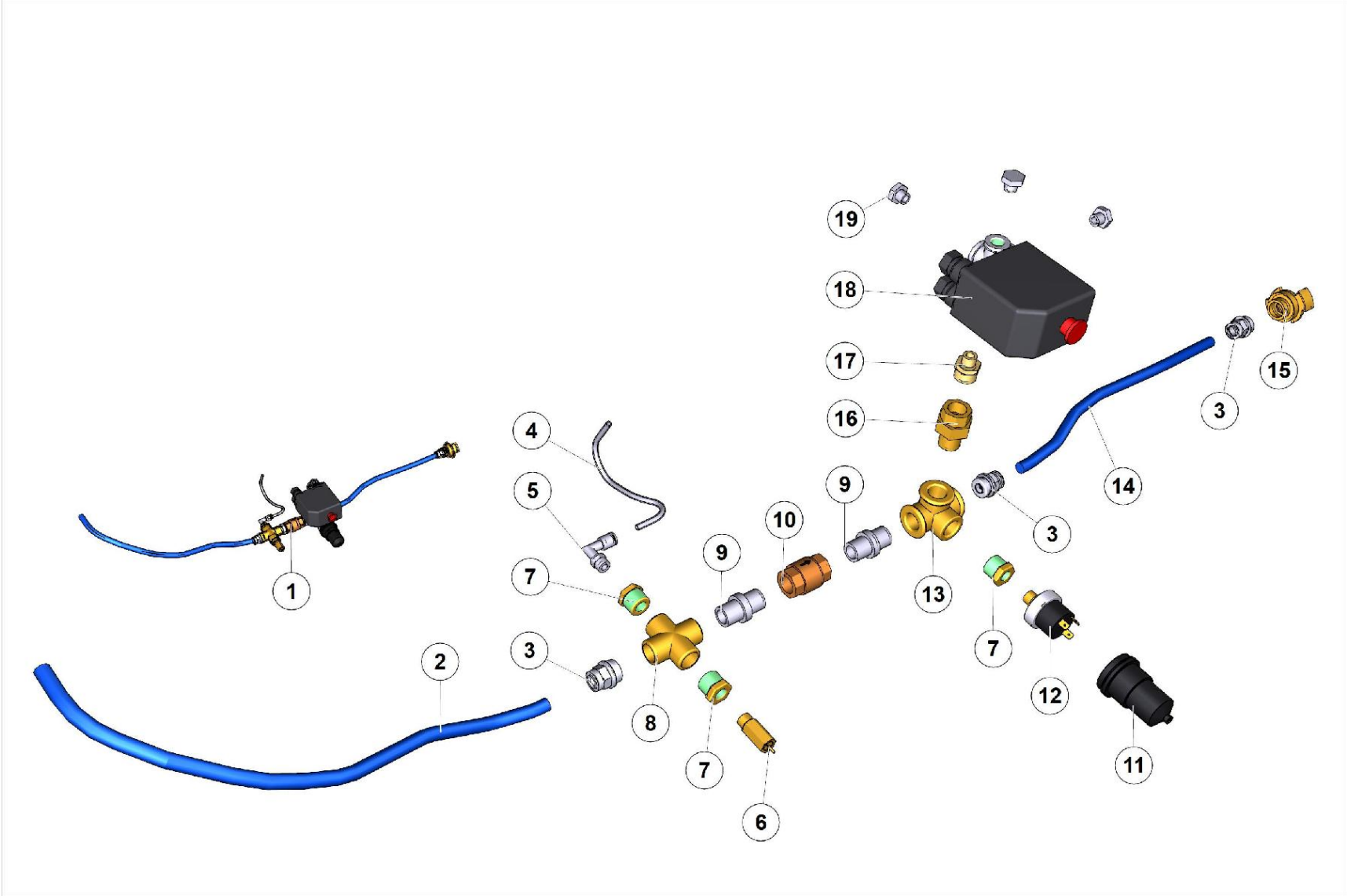


N.	CODE	DESCRIPTION	UM	QTY
1	3238319	COMPRESSOR VERT. IM250 230V-50HZ KW0.75		1.0
2	3238352	CARDBOARD BOX		1.0
3	2222002	SCREW	PZ	4.0
4	2224531	WASHER	PZ	11.0
5	3238280	PLATE	PZ	1.0
6	3208790	SHOCK ABSORBER/CONC.MIXER	PZ	8.0
7	3224872	SCREW TCEI 5931 5X 16 A2 INOX	PZ	4.0
8	1222004	1222004 BOLT		4.0
9	3224538	COMPRESSOR HOUSING	PZ	1.0
10	3226533	FAN COVER/SCREW PUMP	PZ	1.0
12	3226183	CAPACITOR/MORTAR PUMP	PZ	1.0
13	3225845	CABLE	PZ	1.0
14	3224860	BEARING 6207 2RS1 - CM	PZ	2.0
15	3226967	BUSH	PZ	2.0
16	3226966	ECCENTRIC BARBELL	PZ	1.0
17	3224536	COVER	PZ	1.0
18	3225074	SCREW	PZ	9.0
19	3224859	BEARING 6304 2RSH - CM	PZ	1.0
20	3227154	RING	PZ	1.0
21	3224332	SPACER	PZ	1.0
22	3231220			1.0



N.	CODE	DESCRIPTION	UM	QTY
23	3238324	CONNECTOR		1.0
24	3238343			1.0
25	3238323	'AIR FITTING T QUICK COUPLING 3/8"D12 O	PZ	1.0
26	3224533	RH CAP	PZ	2.0
27	3224534	LH CAP	PZ	2.0
28	3228399	O-RING 165 D61.92X3.53	PZ	4.0
29	3224844	AIR-FILTER/SCREW PUMP	PZ	2.0
30	3224532	HEAD	PZ	2.0
31	3213537	SCREW TSPEI 5933 6X 12 Z		8.0
32	3224873	SCREW	PZ	6.0
33	3224548	COMPRESSOR'S PLATE	PZ	6.0
34	3237099	IMER 250 COMPRESSOR MEMBRANE STOP	PZ	2.0
35	3228404	SHIM	PZ	2.0
36	3224539	COMPRESSOR MEMBRANE/SCREW PUMP	PZ	2.0
37	3235672	'GASKET D=127MM; TH=0.4MM'	PZ	2.0
38	3226532	COMPRESSOR FAN IM250 \$2291453	PZ	1.0

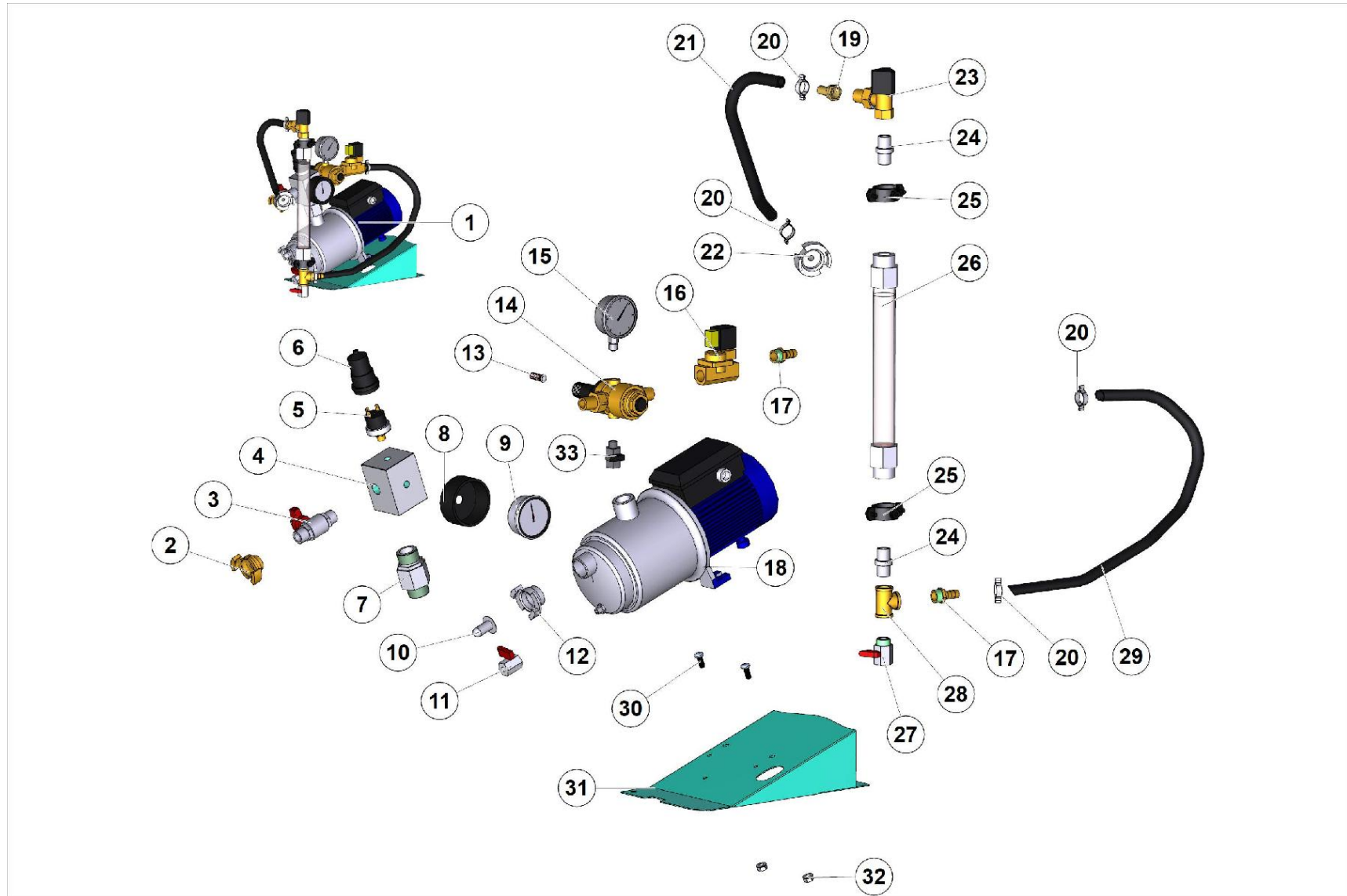
AIR GROUP





N.	CODE	DESCRIPTION	UM	QTY
1	3238326	AIR GROUP KOINE DIGITAL		1.0
2	3238344			1.0
3	3238327	CONNECTOR	PZ	3.0
4	3226816	RILSAN TUBE	M	1.0
5	3223884	'AIR COLLECTION 90 ° INN.RAP.1 / 4 "NPT	PZ	1.0
6	3224593	SECURITY VALVE/SCREW PUMP	PZ	1.0
7	3223609	REDUCER	PZ	3.0
8	3223606	CONNECTOR	PZ	1.0
9	3224362	NIPPLE	PZ	2.0
10	3224360	VALVE/SCREW PUMP	PZ	1.0
11	3226173	RUBBER HOOD FOR PRESSURE SWITCH	PZ	1.0
12	3223630	WATER PRESSURE SWITCH	PZ	1.0
13	3238328	DISTRIBUTOR		1.0
14	3238345			1.0
15	3224382	QUICK COUPLING	PZ	1.0
16	3223618	PIPE UNION/SCREW PIPE	PZ	1.0
17	3224607	REDUCED NIPPLE	PZ	1.0
18	3225843	PRESSURE GAUGE	PZ	1.0
19	3224967	CAP	PZ	3.0

WATER GROUP



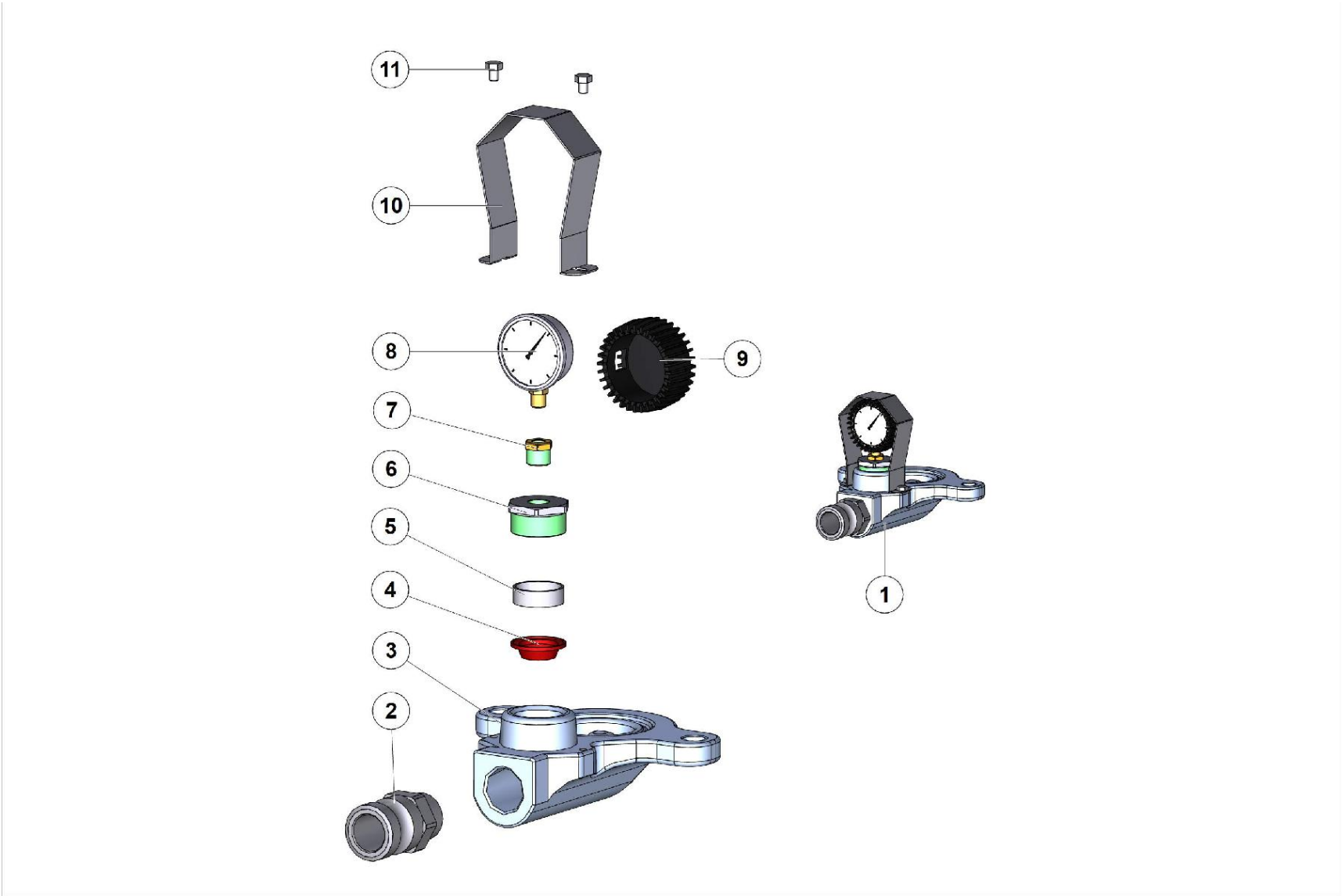


N.	CODE	DESCRIPTION	UM	QTY
1	3238331	WATER SYSTEM KOINE MONO		1.0
2	3224382	QUICK COUPLING	PZ	1.0
3	3238333	VALVE	PZ	1.0
4	3238332	DISTRIBUTOR BLOCK	PZ	1.0
5	3223630	WATER PRESSURE SWITCH	PZ	1.0
6	3226173	RUBBER HOOD FOR PRESSURE SWITCH	PZ	1.0
7	3238346	FITTING		1.0
8	3224176	RUBBER COVER	PZ	1.0
9	3223625	PRESSURE GAUGE/MORTAR PUMP	PZ	1.0
10	3223639	WATER FILTER/MORTAR PUMP	PZ	1.0
11	3223620	VALVE	PZ	1.0
12	3223722	MALE QUICK COUPLING/MORTAR PUMP	PZ	1.0
13	3226729	FILTER	PZ	1.0
14	3223629	PRESSURE REDUCTOR	PZ	1.0
15	3223626	PRESSURE GAUGE	PZ	1.0
16	3228388	SOLENOID VALVE	PZ	1.0
17	3223613	HOSE CLAMP/SCREW PUMP	PZ	2.0
18	3224207	WATER PUMP	PZ	1.0
19	3224169	HOSE FITTING	PZ	1.0
20	3223638	RING CLIP	PZ	4.0
21	3223635	WATER PIPE DIAM. 13 15BAR L 40 CM	PZ	1.0



N.	CODE	DESCRIPTION	UM	QTY
22	3223615	RAPID CONNECTION/SCREW PUMP	PZ	1.0
23	3223627	VALVE	PZ	1.0
24	3224362	NIPPLE	PZ	2.0
25	3224352	'COLLAR 1" '	PZ	2.0
26	3223633	FLOW METER	PZ	1.0
27	3223622	VALVE	PZ	1.0
28	3223617	CONNECTOR	PZ	1.0
29	3225848	WATER HOSE	PZ	1.0
30	3237650	SCREW TCBEI 7380 M8X20Z 10.9		2.0
31	3238282	SHEET		1.0
32	3230237	NUT		2.0
33	3224206	BALL VALVE	PZ	1.0

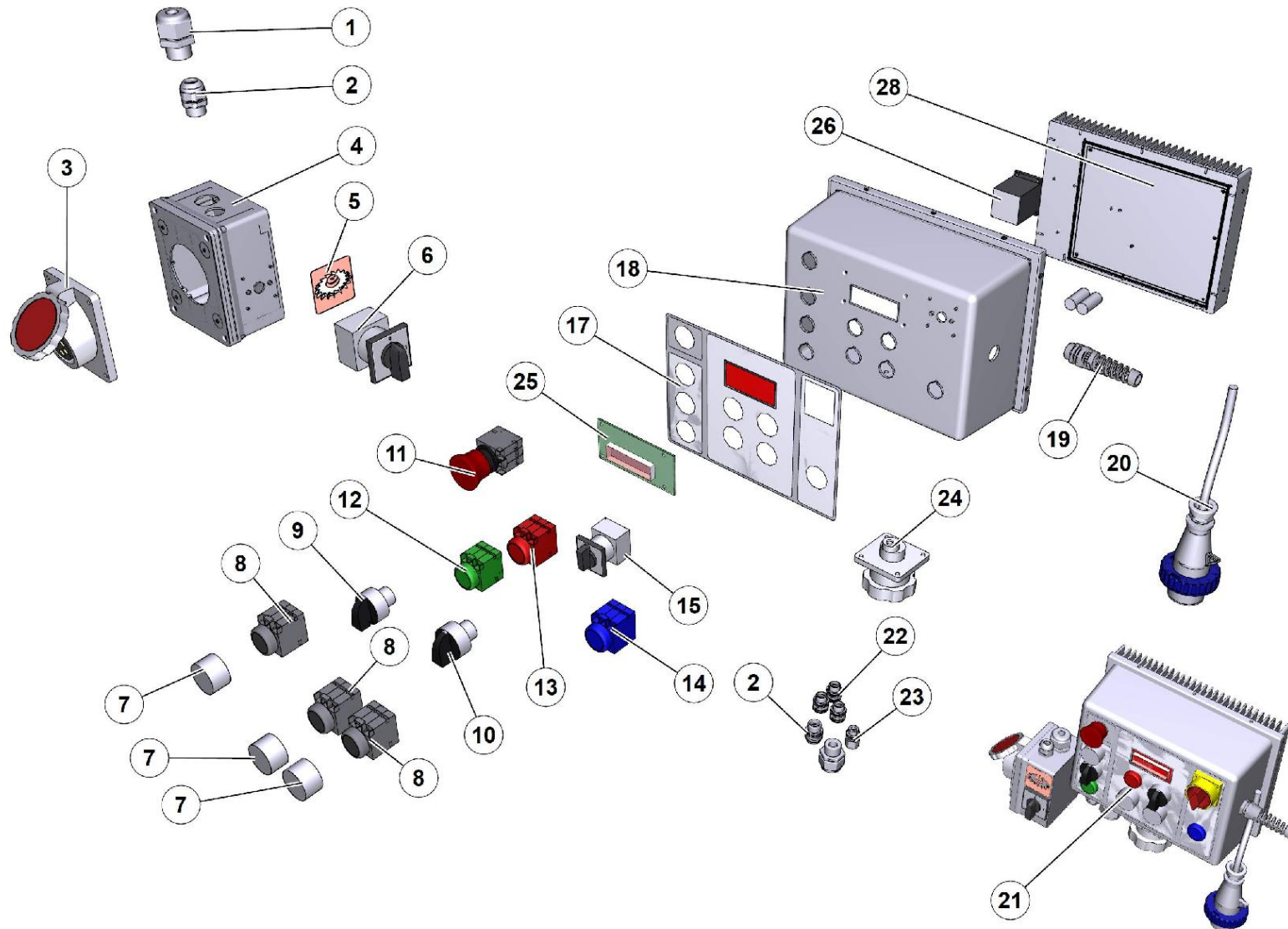
MANIFOLD





N.	CODE	DESCRIPTION	UM	QTY
1	3223416	MANIFOLD	PZ	1.0
2	3223703	'CAM CONNECTION DN35 M-1 "1/4" G M'	PZ	1.0
3	3223388	MANIFOLD	PZ	1.0
4	3223392	MANOMETER'S MEMBRANE/MORTAR PUMP	PZ	1.0
5	3223391	SPACER	PZ	1.0
6	3224173	REDUCTION	PZ	1.0
7	3223609	REDUCER	PZ	1.0
8	3223689	MANOMETER/SCREW PUMP	PZ	1.0
9	3223690	COVER	PZ	1.0
10	3223389	GUARD	PZ	1.0
11	2222015	SCREW	PZ	2.0

ELECTRIC PANEL





N.	CODE	DESCRIPTION	UM	QTY
1	3296311	CABLE CLAMP/CONC.MIXER	PZ	1.0
2	3211096	CABLE CLAMP	PZ	2.0
3	3226203	SOCKET	PZ	1.0
4	3230169	CARDBOARD BOX		1.0
5	3230117			1.0
6	3237740	THERMAL CUTOFF ACTUATOR	PZ	1.0
7	3226932	PROTECTION	PZ	3.0
8	3225437	PUSHBUTTON/SCREW PUMP	PZ	3.0
9	3230317	SWITCH 2 POSITION + CONTACTOR ELECTRIC C	PZ	1.0
10	3230318	SWITCH 2 LEFT RETURN POSITION +CONTACTS	PZ	1.0
11	3225237	EMERGENCY PUSHBUTTON	PZ	1.0
12	3230356	BLUE LAMP HOLDER	PZ	1.0
13	3230449	COMPLETE RED LAMPHOLDER + LED 24 VDC	PZ	1.0
14	3230448	COMPLETE BLUE LAMPHOLDER + LED 24 VDC	PZ	1.0
15	3230316	THERMAL CUTOFF ACTUATOR	PZ	1.0
17	3229079	STICKER	PZ	1.0
18	3230116	ELECTRIC CONTROL PANEL BOX KOINE 35	PZ	1.0
19	3213852	CABLE CLAMP	PZ	1.0
20	3203504	PIN	PZ	1.0
21	3229673	ELECTRIC CONTROL PANEL KOINE 35 COMPLETE	PZ	1.0
22	3201217	CABLE CLAMP	PZ	3.0



N.	CODE	DESCRIPTION	UM	QTY
23	3227508	CABLE CLAMP/SAW	PZ	1.0
24	3230336	COIL	PZ	1.0
25	3229742	INVERTER BOARD DISPLAY 1002-02	PZ	1.0
26	3230320	FOUR-POLE CONTACTOR 20A COIL 24VDC	PZ	1.0
28	3230074	KOINE 35 R2 INVERTER CARD	PZ	1.0



Access Platform Division

Via San Francesco d'Assisi, 8 - 46020 Pegognaga (Mantova) - ITALY Tel. +39 0376
554011 - Fax +39 0376 559855

www.imergroup.com

Building Equipment Division

Via della Meccanica, 39 (Zona Industriale Sentino) - 53040 Rapolano Terme
(Siena) - ITALY - Tel. +39 0577 97341 - Fax +39 0577 704077

www.imergroup.com